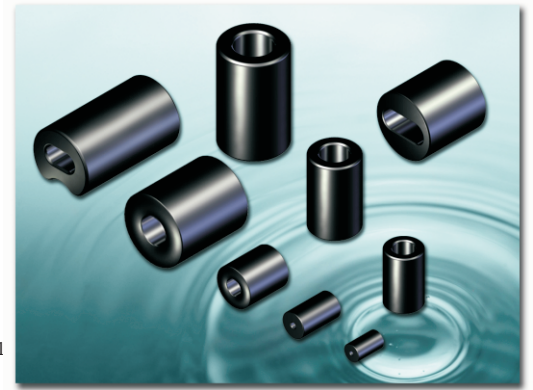


RH TYPE

(1) ORDERING CODE 產品名稱

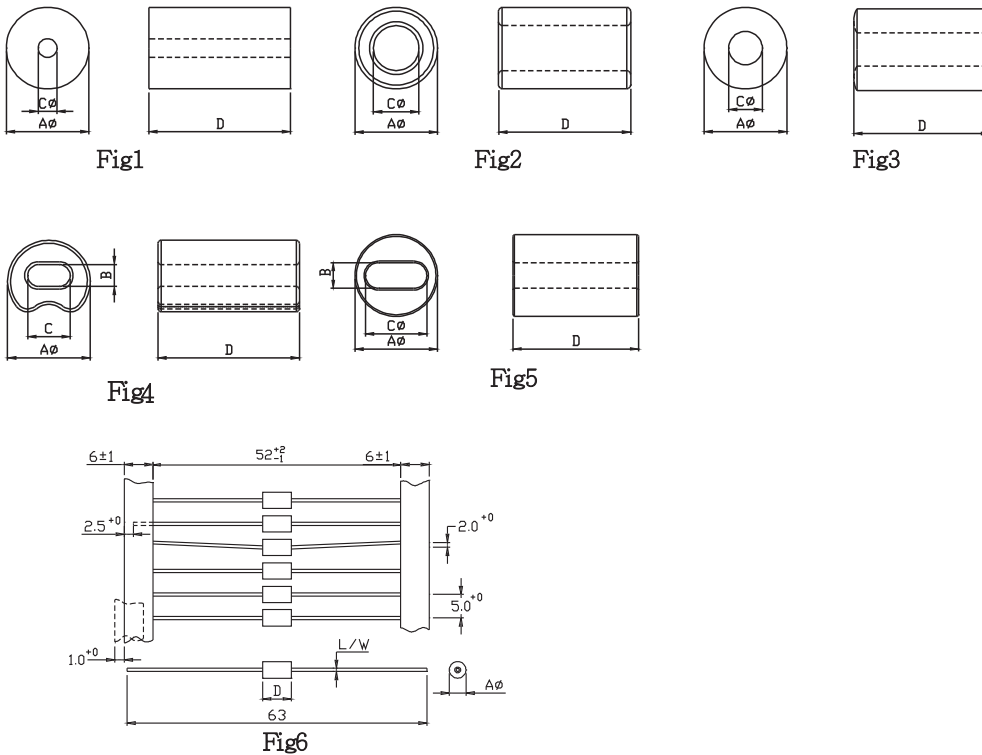
C5A	RH	14.2	x	6.35	x	28.5	
Material 材質	Type 形狀	Outside Diameter(AΦ)		Inside Diameter(CΦ)		Thickness(D)	
C5A	RH	3.5	x	0.8	x	4.7	T/R
Material 材質	Type 形狀	Outside Diameter(AΦ)		Inside Diameter(CΦ)		Thickness(D)	Taping&Reel 編帶



(2) SUITABLE MATERIAL (適用材質)

C5A, C5, C6, E2F

(3) SHAPE (圖形標示)



(4) DIMENSIONS (尺寸)

Unit:mm

NO.	CORE	Fig	Aψ	Cψ	D
1	RH 1.4x0.8x5	1	1.40±0.15	0.80±0.10	5.00±0.20
2	RH 1.5x0.9x5	1	1.50±0.15	0.90±0.10	5.00±0.20
3	RH 1.8x0.8x5	1	1.80±0.15	0.80±0.10	5.00±0.20
4	RH 2.5x0.7x4	1	2.50±0.20	0.70±0.10	4.00±0.20
5	RH 2.5x0.8x5	1	2.50±0.20	0.80±0.10	5.00±0.20
6	RH 2.5x1.0x6	1	2.50±0.20	1.00±0.10	6.00±0.20

DIMENSIONS(尺寸)

Unit:mm

NO.	CORE	Fig	A ψ	C ψ	D
7	RH 2.5x1.5x6	1	2.50±0.20	1.50±0.10	6.00±0.20
8	RH 3x1.0x7	1	3.00±0.20	1.00±0.10	7.00±0.20
9	RH 3x1.3x3	1	3.00±0.20	1.30±0.10	3.00±0.20
10	RH 3.5x0.8x9	1	3.50±0.20	0.80±0.10	9.00±0.20
11	RH 3.5x1.0x6	1	3.50±0.20	1.00±0.10	6.00±0.20
12	RH 3.5x1.15x10	1	3.50±0.20	1.15±0.10	10.0±0.30
13	RH 3.5x1.3x12	1	3.50±0.20	1.30±0.10	12.0±0.30
14	RH 3.5x1.5x6	1	3.50±0.20	1.50±0.10	6.00±0.20
15	RH 3.5x1.8x6	1	3.50±0.20	1.80±0.10	6.00±0.20
16	RH 3.5x2x4	1	3.50±0.20	2.00±0.20	4.00±0.20
17	RH 4x1x15	1	4.00±0.20	1.00±0.10	15.0±0.30
18	RH 4x1.2x10	1	4.00±0.20	1.20±0.10	10.0±0.20
19	RH 4x1.5x3	1	4.00±0.20	1.50±0.10	3.00±0.20
20	RH 4x1.8x5	1	4.00±0.20	1.80±0.10	5.00±0.20
21	RH 4x2x10	1	4.00±0.20	2.00±0.20	10.0±0.30
22	RH 4.5x1.3x7	1	4.50±0.20	1.30±0.10	7.00±0.20
23	RH 4.5x1.5x5	1	4.50±0.20	1.50±0.10	5.00±0.20
24	RH 4.5x2.5x7	1	4.50±0.20	2.50±0.20	7.00±0.20
25	RH 4.5x3x6	1	4.50±0.20	3.00±0.20	6.00±0.20
26	RH 4.75x2.7x19	2	4.75±0.20	2.70±0.20	19.0±0.40
27	RH 4.8x2x7.8	1	4.80±0.20	2.00±0.20	7.80±0.20
28	RH 4.95x1.15x6	1	4.95±0.20	1.15±0.10	6.00±0.20
29	RH 4.95x1.35x6	1	4.95±0.20	1.35±0.10	6.00±0.20
30	RH 5x1.6x8	1	5.00±0.20	1.60±0.10	8.00±0.20
31	RH 5x2x5.5	1	5.00±0.20	2.00±0.20	5.50±0.20
32	RH 5x2.3x12.7	2	5.00±0.20	2.30±0.20	12.7±0.30
33	RH 5.3x4.6x9.5	2	5.30±0.20	4.60±0.20	9.50±0.30
34	RH 6x1x10	2	6.00±0.20	1.00±0.10	10.0±0.30
35	RH 6x2x10	2	6.00±0.20	2.00±0.10	10.0±0.30
36	RH 6x2.2x6	2	6.00±0.20	2.20±0.10	6.00±0.20

DIMENSIONS(尺寸)

Unit:mm

NO.	CORE	Fig	A ψ	C ψ	D
37	RH 6x3x25	2	6.00±0.20	3.00±0.20	25.0±0.50
38	RH 6x4x10	2	6.00±0.20	4.00±0.20	10.0±0.30
39	RH 6.35x3.3x15.8	2	6.35±0.20	3.30±0.20	15.8±0.30
40	RH 6.4x3.08x12.7	2	6.40±0.20	3.08±0.20	12.7±0.30
41	RH 6.5x3.3x9.5	2	6.50±0.20	3.30±0.20	9.5±0.30
42	RH 6.5x4.3x10	2	6.50±0.20	4.30±0.20	10.0±0.30
43	RH 6.8x4.2x14	2	6.80±0.20	4.20±0.20	14.0±0.30
44	RH 7x5.3x9.5	2	7.00±0.20	5.30±0.20	9.50±0.30
45	RH 7.4x3x16.5	2	7.40±0.20	3.00±0.20	16.5±0.30
46	RH 7.52x2.39x7.54	2	7.52±0.20	2.39±0.20	7.54±0.20
47	RH 7.52x2.6x8	2	7.52±0.20	2.60±0.20	8.00±0.20
48	RH 7.6x3.6x4.2	2	7.60±0.20	3.60±0.20	4.20±0.20
49	RH 7.8x3x19	2	7.80±0.20	3.00±0.20	19.0±0.40
50	RH 7.8x4x12.7	2	7.80±0.20	4.00±0.20	12.7±0.30
51	RH 7.8x4.2x28.5	2	7.80±0.20	4.20±0.20	28.5±0.50
52	RH 7.8x5.3x15.8	2	7.80±0.20	5.30±0.20	15.8±0.30
53	RH 7.9x3x10	2	7.90±0.20	3.00±0.20	10.0±0.30
54	RH 8x3.6x20	2	8.00±0.20	3.60±0.20	20.0±0.40
55	RH 8x4x13	2	8.00±0.20	4.00±0.20	13.0±0.30
56	RH 8x5.6x12.7	2	8.00±0.20	5.60±0.20	12.7±0.30
57	RH 8.6x6.5x9	2	8.60±0.20	6.50±0.20	9.00±0.20
58	RH 9x4.5x10	2	9.00±0.20	4.50±0.20	10.0±0.30
59	RH 9x5x29	3	9.00±0.20	5.00±0.20	29.0±0.50
60	RH 9.3x4x20	2	9.30±0.20	4.00±0.20	20.0±0.40
61	RH 9.3x5.2x11	2	9.30±0.20	5.20±0.20	11.0±0.30
62	RH 9.3x5.8x11	2	9.30±0.20	5.80±0.20	11.0±0.40
63	RH 9.5x4.8x28.4	3	9.50±0.20	4.80±0.20	28.4±0.50
64	RH 9.5x5x28.5	2	9.50±0.20	5.00±0.20	28.5±0.50
65	RH 9.5x5.2x9.5	2	9.50±0.20	5.20±0.20	9.50±0.30
66	RH 9.5x5.5x28.5	2	9.50±0.20	5.50±0.20	28.5±0.50

DIMENSIONS(尺寸)

Unit:mm

NO.	CORE	Fig	A ψ	C ψ	D
67	RH 9.5x7.1x7.5	2	9.50±0.20	7.10±0.20	7.50±0.20
68	RH 9.66x3.8x10.8	2	9.66±0.20	3.80±0.20	10.8±0.30
69	RH 9.8x1x15	2	9.80±0.20	1.00±0.10	15.0±0.30
70	RH 9.8x5x24.5	2	9.80±0.20	5.00±0.20	24.5±0.50
71	RH 9.8x5.2x20	2	9.80±0.20	5.20±0.20	20.0±0.40
72	RH 10x5x7	2	10.0±0.30	5.00±0.20	7.00±0.20
73	RH 10x5.5x28.5	2	10.0±0.30	5.50±0.20	28.5±0.50
74	RH 10x6x14	2	10.0±0.30	6.00±0.20	14.0±0.30
75	RH 10x6.35x26	2	10.0±0.30	6.35±0.20	26.0±0.50
76	RH 10x6.5x20	2	10.0±0.30	6.50±0.20	20.0±0.40
77	RH 10x7.1x12.5	2	10.0±0.30	7.10±0.20	12.5±0.30
78	RH 10.3x5.8x10.2	2	10.3±0.30	5.80±0.20	10.2±0.30
79	RH 10.3x6x10.2	2	10.3±0.30	6.00±0.20	10.2±0.30
80	RH 10.5x5.5x20	2	10.5±0.30	5.50±0.20	20.0±0.40
81	RH 10.5x5.8x20	2	10.5±0.30	5.80±0.20	20.0±0.40
82	RH 10.5x7.3x20	2	10.5±0.30	7.30±0.20	20.0±0.40
83	RH 11x4x13.5	2	11.0±0.30	4.00±0.20	13.5±0.30
84	RH 11x4.5x20	3	11.0±0.30	4.50±0.20	20.0±0.40
85	RH 11x5x28	3	11.0±0.30	5.00±0.20	28.0±0.50
86	RH 11x5.5x25	3	11.0±0.30	5.50±0.20	25.0±0.50
87	RH 11.5x4.5x26	3	11.5±0.30	4.50±0.20	26.0±0.50
88	RH 11.5x5x25	3	11.5±0.30	5.00±0.20	25.0±0.50
89	RH 11.7x6x20	4	11.7±0.30	6.00±0.20	20.0±0.40
90	RH 11.8x5x20	2	11.8±0.30	5.00±0.20	20.0±0.40
91	RH 11.8x6.7x20	2	11.8±0.30	6.70±0.20	20.0±0.40
92	RH 12x3.65x23	3	12.0±0.30	3.65±0.20	23.0±0.50
93	RH 12x4x23	3	12.0±0.30	4.00±0.20	23.0±0.50
94	RH 12x4.5x23	3	12.0±0.30	4.50±0.20	23.0±0.50
95	RH 12x5.6x28.5	3	12.0±0.30	5.60±0.20	28.5±0.50
96	RH 12x6x28.5	3	12.0±0.30	6.00±0.20	28.5±0.50

DIMENSIONS(尺寸)

Unit:mm

NO.	CORE	Fig	A ψ	C ψ	D
97	RH 12x6.35x20	3	12.0 \pm 0.30	6.35 \pm 0.20	20.0 \pm 0.40
98	RH 12x6.55x20	3	12.0 \pm 0.30	6.55 \pm 0.20	20.0 \pm 0.40
99	RH 12x6.8x20	3	12.0 \pm 0.30	6.80 \pm 0.20	20.0 \pm 0.40
100	RH 12x7.1x15	2	12.0 \pm 0.30	7.10 \pm 0.20	15.0 \pm 0.30
101	RH 12x8.4x16	3	12.0 \pm 0.30	8.40 \pm 0.30	16.0 \pm 0.30
102	RH 12.2x7.9x23.5	2	12.2 \pm 0.30	7.90 \pm 0.20	23.5 \pm 0.50
103	RH 12.3x5x25.4	3	12.3 \pm 0.30	5.00 \pm 0.20	25.4 \pm 0.50
104	RH 12.7x7.87x12.7	2	12.7 \pm 0.30	7.87 \pm 0.20	12.7 \pm 0.30
105	RH 12.5x6.8x9.6	2	12.5 \pm 0.30	6.80 \pm 0.20	9.60 \pm 0.30
106	RH 12.7x8x14	3	12.7 \pm 0.30	8.00 \pm 0.20	14.0 \pm 0.30
107	RH 13x3.5x16	2	13.0 \pm 0.30	3.50 \pm 0.20	16.0 \pm 0.30
108	RH 13x5.2x28.5	3	13.0 \pm 0.30	5.20 \pm 0.20	28.5 \pm 0.50
109	RH 13x5.5x16	2	13.0 \pm 0.30	5.50 \pm 0.20	16.0 \pm 0.30
110	RH 13x7.1x12.7	2	13.0 \pm 0.30	7.10 \pm 0.20	12.7 \pm 0.30
111	RH 13x7.5x13.2	2	13.0 \pm 0.30	7.50 \pm 0.20	13.2 \pm 0.30
112	RH 14x6x15	3	14.0 \pm 0.30	6.00 \pm 0.20	15.0 \pm 0.30
113	RH 14.2x4.5x28.5	3	14.2 \pm 0.30	4.50 \pm 0.20	28.5 \pm 0.50
114	RH 14.2x4.8x28.5	3	14.2 \pm 0.30	4.80 \pm 0.20	28.5 \pm 0.50
115	RH 14.2x5x28.5	3	14.2 \pm 0.30	5.00 \pm 0.20	28.5 \pm 0.50
116	RH 14.2x6x28	2	14.2 \pm 0.30	6.00 \pm 0.20	28.0 \pm 0.50
117	RH 14.2x6.35x28.5	3	14.2 \pm 0.30	6.35 \pm 0.20	28.5 \pm 0.50
118	RH 14.2x6.6x28.1	3	14.2 \pm 0.30	6.60 \pm 0.20	28.1 \pm 0.50
119	RH 14.2x6.7x15	3	14.2 \pm 0.30	6.70 \pm 0.20	15.0 \pm 0.30
120	RH 14.2x7x28.5	3	14.2 \pm 0.30	7.00 \pm 0.20	28.5 \pm 0.50
121	RH 14.2x7.25x28.5	3	14.2 \pm 0.30	7.25 \pm 0.20	28.5 \pm 0.50
122	RH 14.2x8x28.5	3	14.2 \pm 0.30	8.00 \pm 0.20	28.5 \pm 0.50
123	RH 14.2x8.2x28.5	3	14.2 \pm 0.30	8.20 \pm 0.20	28.5 \pm 0.50
124	RH 14.2x8.4x28.5	3	14.2 \pm 0.30	8.40 \pm 0.30	28.5 \pm 0.50
125	RH 14.2x9x28.5	3	14.2 \pm 0.30	9.00 \pm 0.30	28.5 \pm 0.50
126	RH 14.2x9.15x28.5	3	14.2 \pm 0.30	9.15 \pm 0.30	28.5 \pm 0.50

DIMENSIONS(尺寸)

Unit:mm

NO.	CORE	Fig	A ψ	C ψ	D
127	RH 14.2x9.5x28.5	3	14.2±0.30	9.50±0.30	28.5±0.50
128	RH 15x8x28.5	3	15.0±0.30	8.00±0.20	28.5±0.50
129	RH 15x10x28	3	15.0±0.30	10.0±0.30	28.0±0.50
130	RH 15.24x8x28	3	15.24±0.30	8.00±0.20	28.0±0.50
131	RH 15.6x6.8x28.5	3	15.60±0.30	6.80±0.20	28.5±0.50
132	RH 15.6x7x28.5	3	15.60±0.30	7.00±0.20	28.5±0.50
133	RH 15.6x7.3x28	3	15.60±0.30	7.30±0.20	28.0±0.50
134	RH 15.6x7.9x28.5	3	15.60±0.30	7.90±0.20	28.5±0.50
135	RH 16x4.5x17.5	3	16.0±0.30	4.50±0.20	17.5±0.30
136	RH 16x6.35x27	3	16.0±0.30	6.35±0.20	27.0±0.50
137	RH 16x8x16	3	16.0±0.30	8.00±0.20	16.0±0.30
138	RH 16x9x28.5	3	16.0±0.30	9.00±0.30	28.5±0.50
139	RH 16x9.5x28.5	3	16.0±0.30	9.50±0.30	28.5±0.50
140	RH 16x10x28.5	3	16.0±0.30	10.0±0.30	28.5±0.50
141	RH 16x10.5x28.5	3	16.0±0.30	10.5±0.30	28.5±0.50
142	RH 16x11x12.5	2	16.0±0.30	11.0±0.40	12.5±0.30
143	RH 16.25x7.9x28.6	3	16.25±0.30	7.90±0.30	28.6±0.50
144	RH 16.5x8.4x13	2	16.5±0.30	8.40±0.30	13.0±0.30
145	RH 17x4x25	3	17.0±0.30	4.00±0.20	25.0±0.50
146	RH 17x7x25	3	17.0±0.30	7.00±0.20	25.0±0.50
147	RH 17.07x8.76x28.5	3	17.07±0.30	8.76±0.20	28.5±0.50
148	RH 17.5x5x6	2	17.5±0.30	5.00±0.20	6.00±0.20
149	RH 17.5x6.35x28.5	3	17.5±0.30	6.35±0.20	28.5±0.50
150	RH 17.5x7x28.5	3	17.5±0.30	7.00±0.20	28.5±0.50
151	RH 17.5x8.4x28.5	3	17.5±0.30	8.40±0.20	28.5±0.50
152	RH 17.5x9x28.5	3	17.5±0.30	9.00±0.30	28.5±0.50
153	RH 17.5x9.5x28.5	3	17.5±0.30	9.50±0.30	28.5±0.50
154	RH 17.5x10x28.5	3	17.5±0.30	10.0±0.30	28.5±0.50
155	RH 17.5x10.5x28.5	3	17.5±0.30	10.5±0.40	28.5±0.50
156	RH 17.5x11.5x28.5	3	17.5±0.30	11.5±0.40	28.5±0.50

DIMENSIONS(尺寸)

Unit:mm

NO.	CORE	Fig	A ψ	C ψ	D
157	RH 17.5x13x28.5	3	17.5 \pm 0.30	13.0 \pm 0.40	28.5 \pm 0.50
158	RH 18x6.8x36	3	18.0 \pm 0.30	6.80 \pm 0.20	36.0 \pm 0.80
159	RH 18x9.5x28.5	3	18.0 \pm 0.30	9.50 \pm 0.30	28.5 \pm 0.50
160	RH 18x10x28	2	18.0 \pm 0.30	10.0 \pm 0.30	28.0 \pm 0.50
161	RH 18.1x6.3x28	3	18.1 \pm 0.30	6.30 \pm 0.20	28.0 \pm 0.50
162	RH 18.4x11.5x28.5	3	18.4 \pm 0.30	11.5 \pm 0.40	28.5 \pm 0.50
163	RH 18.4x13x28.5	3	18.4 \pm 0.30	13.0 \pm 0.40	28.5 \pm 0.50
164	RH 18.7x10.2x28.5	3	18.7 \pm 0.30	10.2 \pm 0.40	28.5 \pm 0.50
165	RH 18.7x10.9x28.5	3	18.7 \pm 0.30	10.9 \pm 0.40	28.5 \pm 0.50
166	RH 19x6.8x31.5	3	19.0 \pm 0.30	6.80 \pm 0.30	31.5 \pm 0.80
167	RH 19x10x28.5	3	19.0 \pm 0.30	10.0 \pm 0.30	28.5 \pm 0.50
168	RH 19x13x29	3	19.0 \pm 0.30	13.0 \pm 0.40	29.0 \pm 0.50
169	RH 20.7x12x28.5	3	20.7 \pm 0.40	12.0 \pm 0.40	28.5 \pm 0.50
170	RH 21x9x37	3	21.0 \pm 0.40	9.00 \pm 0.30	37.0 \pm 0.80
171	RH 21x11x36	3	21.0 \pm 0.40	11.0 \pm 0.40	36.0 \pm 0.80
172	RH 21x13x28.5	3	21.0 \pm 0.40	13.0 \pm 0.40	28.5 \pm 0.50
173	RH 23x10.9x14	2	23.0 \pm 0.40	10.9 \pm 0.40	14.0 \pm 0.30
174	RH 23.6x11.4x14	2	23.6 \pm 0.40	11.4 \pm 0.40	14.0 \pm 0.30
175	RH 24x10.9x14	2	24.0 \pm 0.40	10.9 \pm 0.40	14.0 \pm 0.30
176	RH 26x12.8x28.5	2	26.0 \pm 0.50	12.8 \pm 0.50	28.5 \pm 0.80
177	RH 26x14x15	2	26.0 \pm 0.50	14.0 \pm 0.40	15.0 \pm 0.30
178	RH 27x8.5x28.4	5	27.0 \pm 0.50	8.50 \pm 0.30	28.4 \pm 0.50
179	RH 28.5x13.8x28.6	2	28.5 \pm 0.50	13.8 \pm 0.40	28.6 \pm 0.50
180	RH 31x14.8x18.7	3	31.0 \pm 0.80	14.8 \pm 0.50	18.7 \pm 0.40
181	RH 31x22x22	2	31.0 \pm 0.80	22.0 \pm 0.50	22.0 \pm 0.40
182	RH 36x22x28.5	2	36.0 \pm 0.80	22.0 \pm 0.50	28.5 \pm 0.50